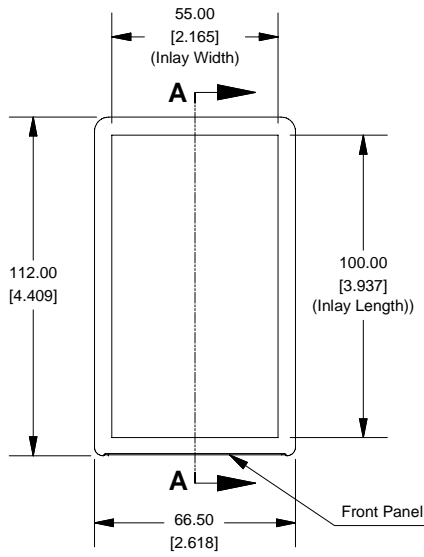
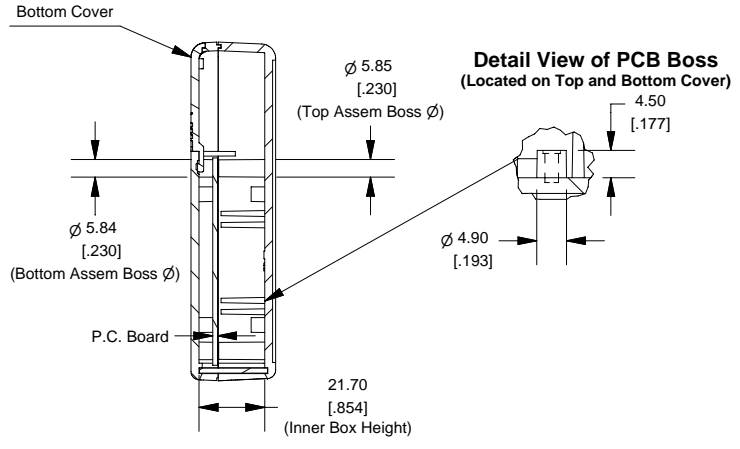


Top View of Assembly

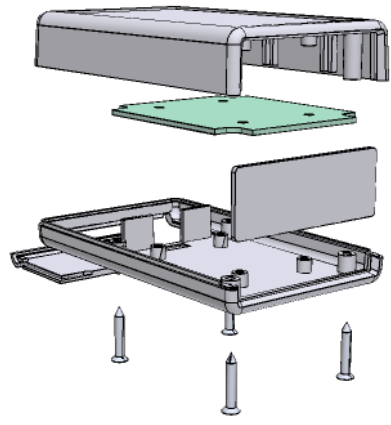


SECTION A-A (Side View Inside Assembly)

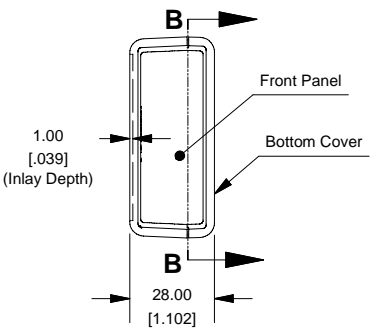


Detail View of PCB Boss (Located on Top and Bottom Cover)

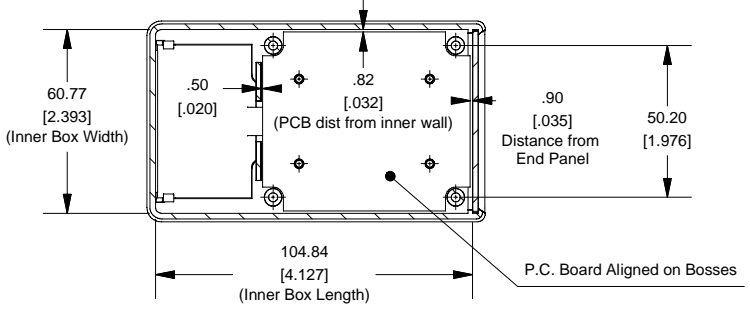
Hand Held Instrument (1593Q)



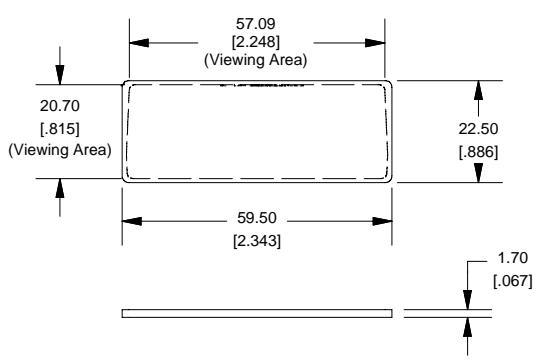
End View of Assembly



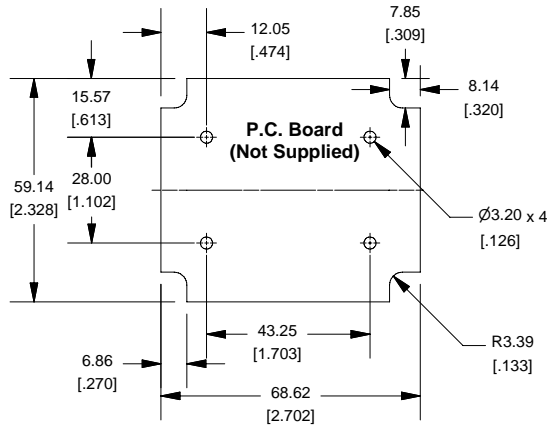
SECTION B-B (Inside of Bottom Cover)



Front/Rear Panel (Dashed Line Indicates Viewing Area)



Maximum P.C. Board Size



Enclosures can be Factory Modified (Milling, Drilling, Printing etc.)
 Solid models of this enclosure available in STEP or IGES.
 Contact Factory mjm@hammondmfg.com

| NOTE | |
|---|--|
| Enclosure molded from GP ABS (UL94-HB) plastic. | |
| Purchased assembly includes top and bottom cover, front panel (plastic), battery door and 4 cover screws. | |

| PART NUMBERS | |
|---|----------------------|
| 1593Q Enclosure | |
| Black Enclosure | 1593QBK |
| Grey Enclosure | 1593QGY |
| ACCESSORIES | |
| Cover Screws (Pkg 100) | 1593QS100 (Silver) |
| #4 x 3/4" self-tapping oval head (19.1mm) | 1593QS100BK (Black) |
| P.C. Board Screws | 1593ATS50 (Pkg 50) |
| #4 x 1/4" self-tapping (6.4mm) | 1593ATS100 (Pkg 100) |
| Belt or Pocket Clip | 1599CLIP (Black) |
| | 1599CLIPGY (Grey) |
| Infrared Panels (Pkg 10) | 1593DIR10 |

HAMMOND MANUFACTURING™
1593Q
www.hammondmfg.com